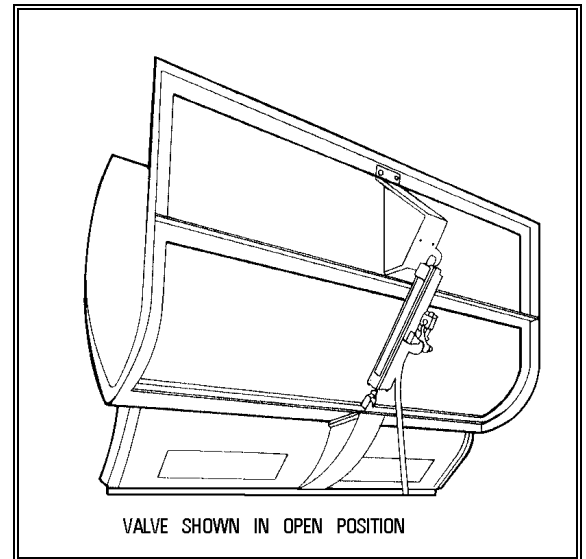
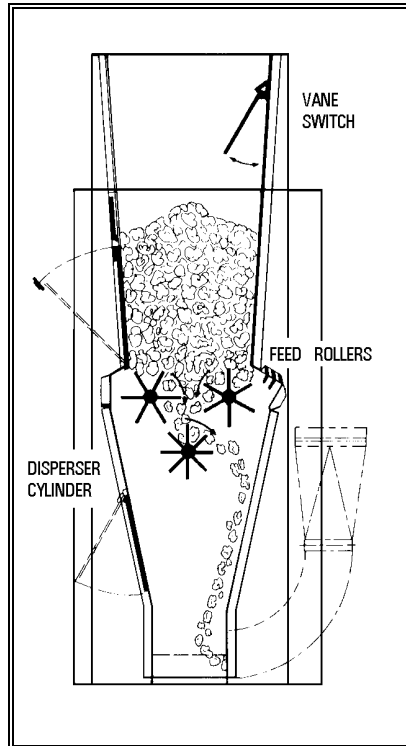


# Conveyor Distributor/Automatic Overflow

## Automatic Overflow Hopper

- Receives and holds excess cotton from conveyor distributor
- Eliminates overflow pen, telescope, and operator
- Variable-height hopper fits almost any existing conveyor distributor
- Receives signal from gin stand to activate feed rollers automatically
- When hopper is full, contact vane cuts off incoming and activates feed rollers to feed gin through overflow separator
- Large storage area
- Large access doors
- Vertical observation windows
- Full-length drive guards
- Trench not required

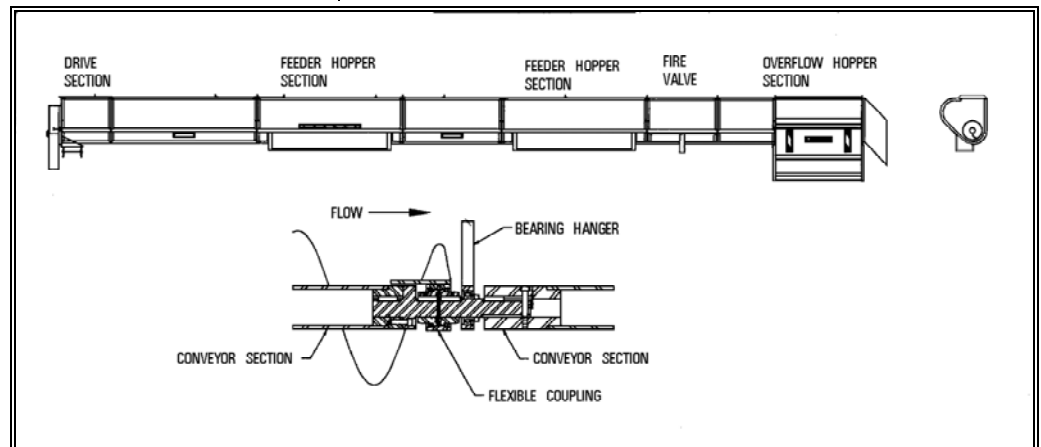


## Fire Valve

- Fire valve dumps cotton before it reaches the overflow hopper
- Pneumatically-operated valve electronically controlled from gin console for quick response in an emergency

## Conveyor Distributor

- Designed for performance, not ease of manufacture
- Larger trough cross section
- High capacity while reducing "roping"
- 16-inch diameter auger
- Auger supported by heavy-duty bearings and bearing struts
- Flexible couplings



Physical Address: 225 Bourne Boulevard • Savannah, Georgia 31408-9586 USA  
 Mailing Address: P.O. Box 929 • Pooler, Georgia 31322-0929 USA  
 Phone: (912) 447-9000 • Fax: (912) 447-9250 Toll Free (USA Only): 1-800-4LUMMUS (1-800-458-6687)  
 Web Site: [www.lummus.com](http://www.lummus.com) • E-mail: [lummus.sales@lummus.com](mailto:lummus.sales@lummus.com)