

Model 86 & 108 Saw-Type Lint Cleaners

The Model 86 & 108 Lint Cleaners provide greater performance than competitive models.

Easy Access

- Doors fitted with electrical and mechanical interlocks
- State-of-the-art safety devices
- Large guard doors allow access to the drives for routine maintenance

Versatility

Lummus Lint Cleaners allow a variety of arrangements: singly, in tandem, battery, with or without Super-Jet® Cleaners. The patented Lummus Five-Way Option Valve allows a choice of five different modes of operation

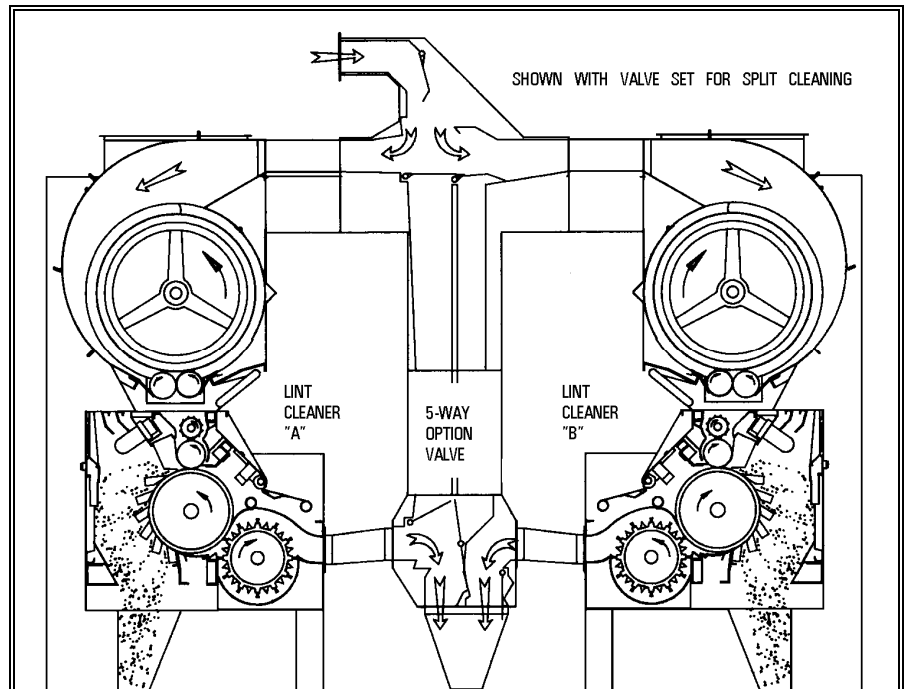
Solid Steel Key Parts for Precision Lint Cleaning

- Cotton enters the condenser through self-cleaning inlet, using full screen area for dust and fine trash removal
- Precision doffing rollers deliver a uniform batt to the feedworks
- Massive solid steel feed roller and feed plate firmly hold and present the cotton to the saw cylinder for smooth combing action
- Dynamically balanced saw and brush cylinders have heavy-duty pillow block bearings for stability and long trouble-free operation
- Massive steel grid bars remove trash without deflecting. Air wash keeps trash away from clean cotton
- Positive brush doffing

Optional

Monorail System allows easy removal of brush and saw cylinders.

With variable feedworks, Lummus Lint Cleaners automatically adjust their combing ratios to match the ginning rate, resulting in far greater productivity than fixed-rate lint cleaner feedworks, which fail to adjust to ginning fluctuations, resulting in lower cleaning efficiency and greater fiber loss. The Lummus Modulating Feed Control maintains the correct combing ratio by electronically regulating the speed of the lint cleaner feedworks.



Tandem Lint Cleaners with Five-Way Option Valve, showing Split Cleaning Option



Physical Address: 225 Bourne Boulevard • Savannah, Georgia 31408-9586 USA
Mailing Address: P.O. Box 929 • Pooler, Georgia 31322-0929 USA
Phone: (912) 447-9000 • Fax: (912) 447-9250 Toll Free (USA Only): 1-800-4LUMMUS (1-800-458-6687)
Web Site: www.lummus.com • E-mail: lummus.sales@lummus.com