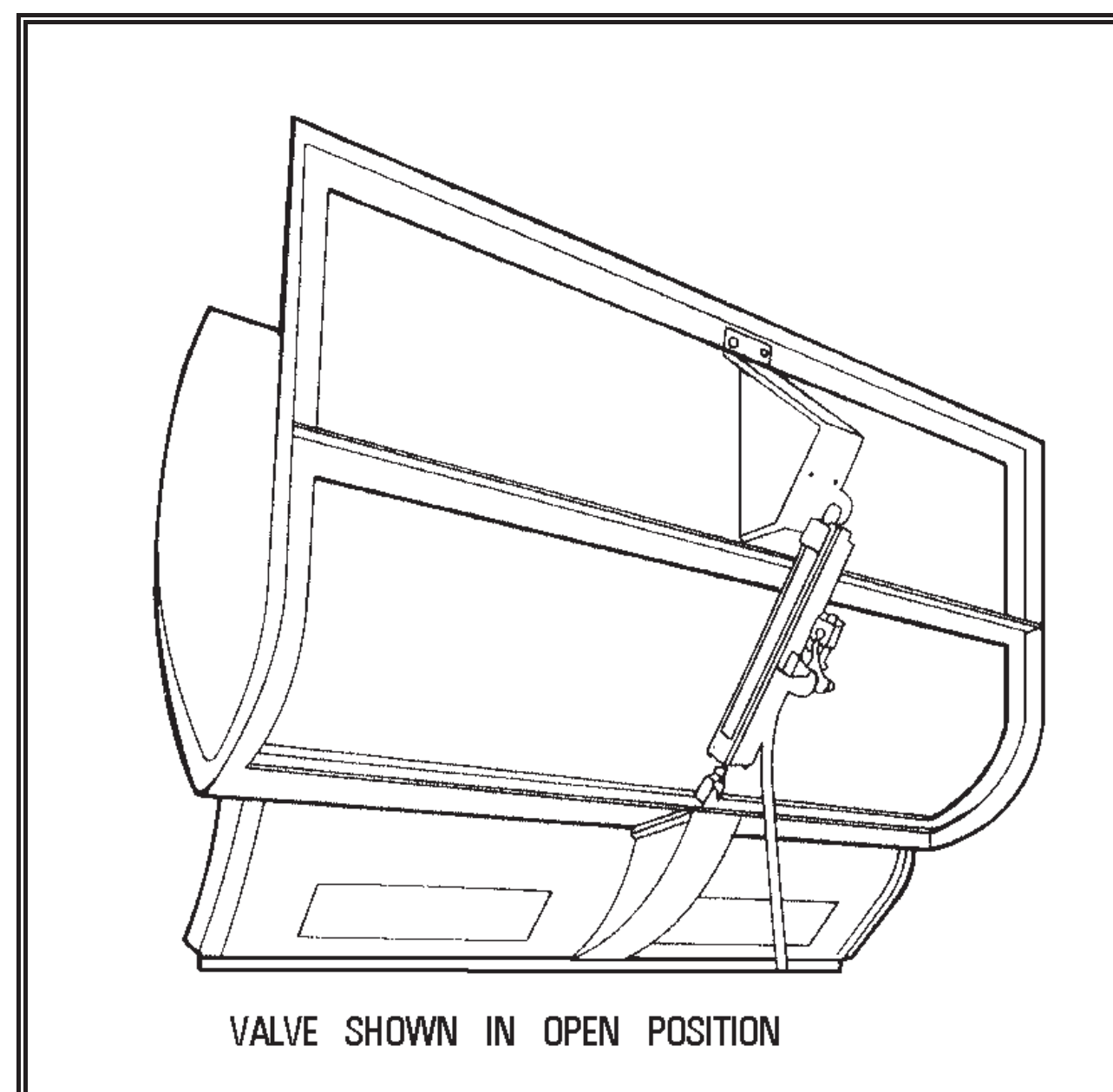
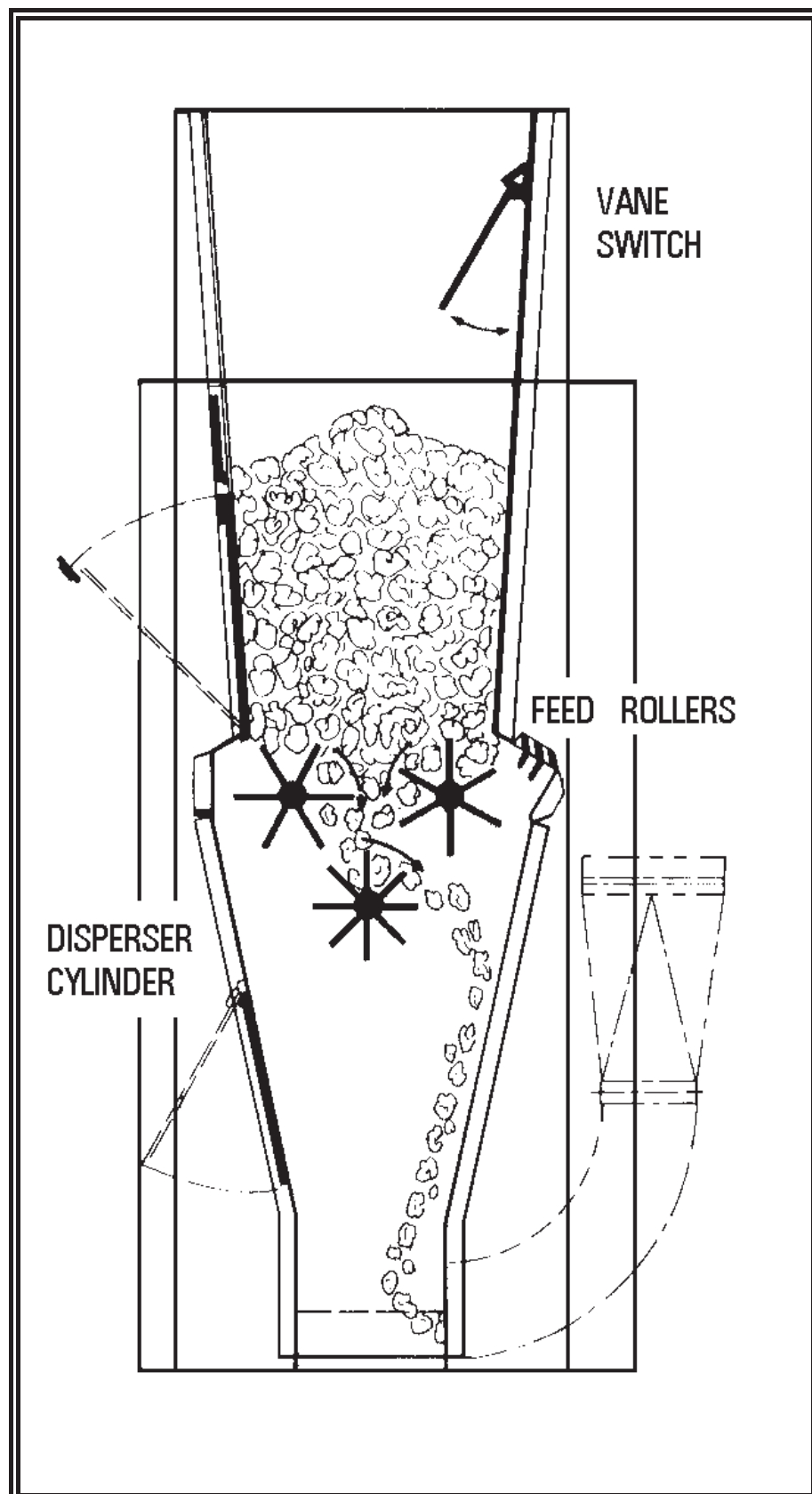


# Conveyor Distributor/Automatic Overflow

## Automatic Overflow Hopper

- Receives and holds excess cotton from conveyor distributor
- Eliminates overflow pen, telescope, and operator
- Variable-height hopper fits almost any existing conveyor distributor
- Receives signal from gin stand to activate feed rollers automatically
- When hopper is full, contact vane cuts off incoming and activates feed rollers to feed gin through overflow separator
- Large storage area
- Large access doors
- Vertical observation windows
- Full-length drive guards
- Trench not required

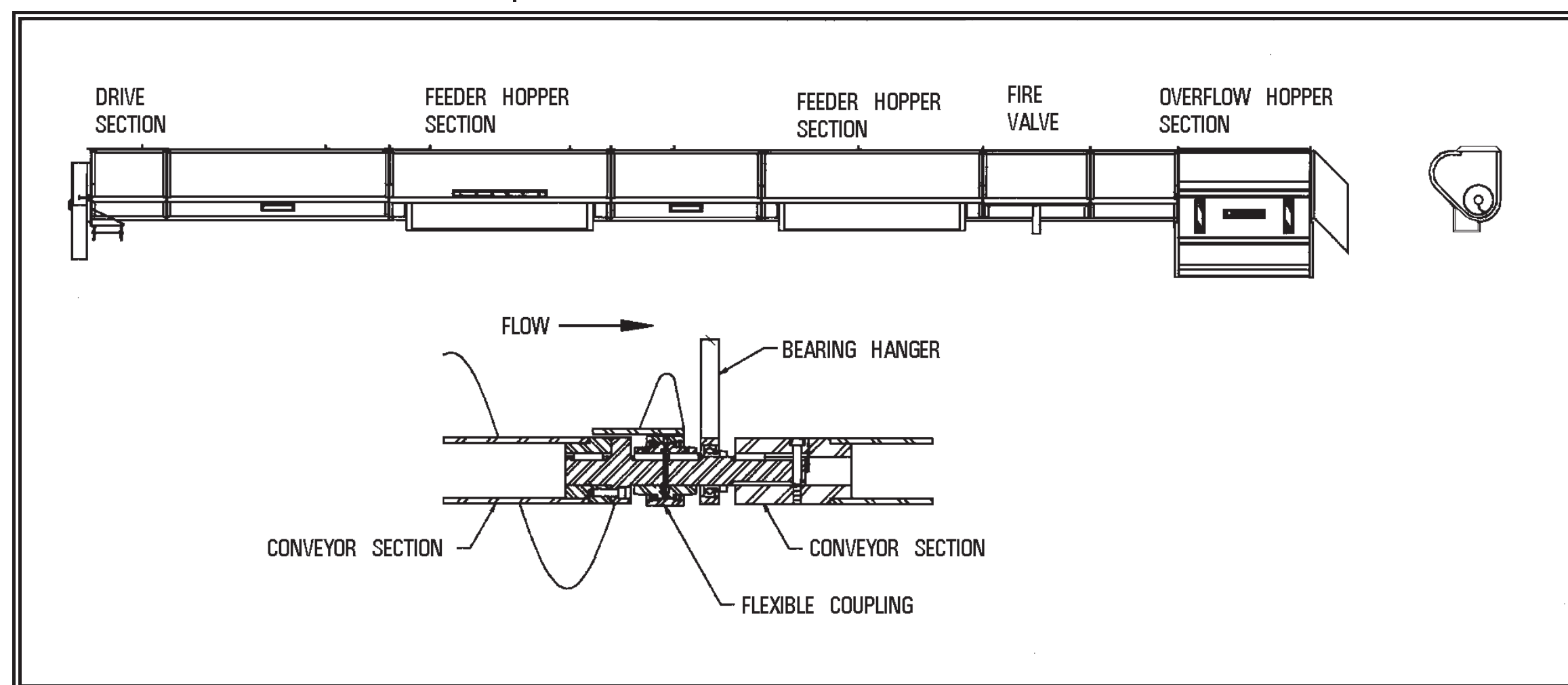


## Fire Valve

- Fire valve dumps cotton before it reaches the overflow hopper
- Pneumatically-operated valve electronically controlled from gin console for quick response in an emergency

## Conveyor Distributor

- Designed for performance and ease of manufacture
- Larger trough cross section
- High capacity while reducing "roping"
- 16-inch diameter auger (standard)
- 24-inch diameter auger for higher capacities (optional)
- Auger supported by heavy-duty bearings and bearing struts
- Flexible couplings – U-joint coupling is standard, while Sier-Bath and Chain-Type couplings are optional



Physical Address: 225 Bourne Boulevard • Savannah, Georgia 31408-9586 USA  
 Mailing Address: P. O. Box 929 • Pooler, Georgia 31322-0929 USA  
 Phone: (912) 447-9000 • Fax: (912) 447-9250  
 Toll Free (USA Only): **1-800-4LUMMUS** (1-800-458-6687)  
 Web Site: [www.lummus.com](http://www.lummus.com) • E-mail: [lummus.sales@lummus.com](mailto:lummus.sales@lummus.com)



Lummus products described or listed in this publication are illustrative only. Application and use of these products must be in accordance with the applicable codes and regulations and must be arranged and/or provided with covers and other guards where necessary to assure the safety of personnel. Lummus engineers continue to make improvements. All designs, specifications, and ratings are subject to change without notice.