

# 194 and 234-Saw Gins

## Newest Features and Enhanced Performance

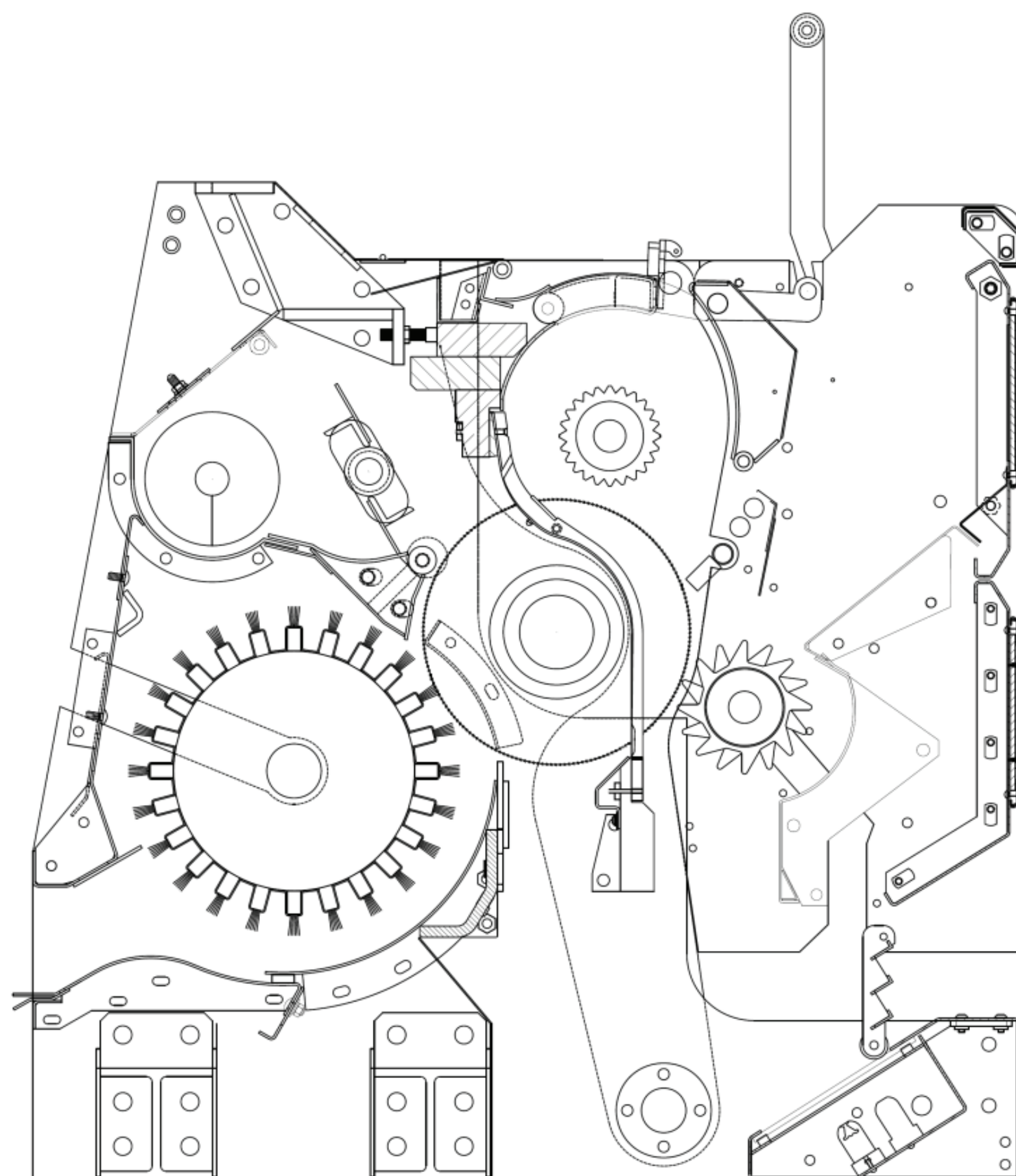
The 194 and 234-Saw Gins are the latest design gin stand of the time-proven "Built Tough" Consolidated product line from Lummus Corporation. They feature a number of new features, which puts them in a class of their own. The enhanced performance through improved capacity, unmatched seed cleaning, and reduced seed loss (critical with today's smaller-seed cultivars), offers gins that are second to none in their size ranges.

### Features:

- 194 or 234 closely-spaced 12" diameter x .045" thick Gin Saws provide high capacity, quality lint, cleaner seed, and less seed loss.
- Proprietary Ginning Rib design (patents pending) with hardened Insert at the ginning point offers unmatched rib profile consistency, resulting in optimum gratefall uniformity, even when replacing individual ribs. Ribs are CNC machined and made in the USA.
- Timing Belt Main Gin Drive provides superior horsepower transfer to the saw cylinder as compared to traditional V-belt drives.
- Stainless steel Roll box permits easy discharge of ginned seed.
- Roll Box shape and gentle action of the powered Agitator Cylinder (driven from both ends in each model) provide for easy rotation of the seed roll for highest capacities with minimum fiber damage.
- Adjustable Upper Moting System produces cleaner lint and increases lint cleaner efficiency.
- Dynamically-balanced Brush Doffing Cylinder and stainless steel Brush Chamber allows positive doffing of the gin saws at all capacities and in all cotton conditions.
- Heavy construction features 1" thick steel plate End Heads and massive Rib Rails to provide strength and rigidity to maintain gin stand settings.
- Saw and Brush Cylinder Shafts are large-diameter, turned, ground, and polished (TG&P) shafting, supported by heavy-duty, double-roller pillow block bearings. 234-Saw Gin features an extended Saw Shaft and Outboard Bearing Support.
- Series 2000 Digital Gin/Feeder controls allow for easy modulation of feed rate to maintain a consistent ginning rate and seed roll density.



Model 700™ III Feeder over 234-Saw Gin



Cross-section of 194 and 234-Saw Gins

### 194 and 234-Saw Gin Specifications:

Model:	194-Saw	234-Saw
Saw Diameter:	12"	12"
Saw Thickness:	0.045"	0.045"
Effective Machine Width:	96"	120"
Main Drive:	200-HP	300-HP
Agitator Drive:	7.5-HP (2)	7.5-HP (2)
Upper Moting System Drive:	1-HP	1-HP
Doffing System Type:	Brush	Brush
Machine Weight:	6,500 lbs.	8,500 lbs.



Physical Address: 225 Bourne Boulevard • Savannah, Georgia 31408-9586 USA  
 Mailing Address: P. O. Box 929 • Pooler, Georgia 31322-0929 USA  
 Phone: (912) 447-9000 • Fax: (912) 447-9250  
 Toll Free (USA Only): **1-800-4LUMMUS** (1-800-458-6687)  
 Web Site: [www.lummus.com](http://www.lummus.com) • E-mail: [lummus.sales@lummus.com](mailto:lummus.sales@lummus.com)



Lummus products described or listed in this publication are illustrative only. Application and use of these products must be in accordance with the applicable codes and regulations and must be arranged and/or provided with covers and other guards where necessary to assure the safety of personnel. Lummus engineers continue to make improvements. All designs, specifications, and ratings are subject to change without notice.