

203-Saw Imperial™ III Gin

The Industry Standard - Redefined

In response to today's market which demands higher capacities, superior turnout, and minimal seed loss (even when ginning the latest small-seed cotton varieties), Lummus is pleased to introduce the 203-Saw Imperial III Gin. Based on a quarter century of unmatched performance around the world by the 170-Saw Imperial III Gin, Lummus took the best traits of this flagship product and enhanced its design with improvements that will take ginning to the next level – all while doing the utmost to preserve fiber quality.

A Team Like No Other

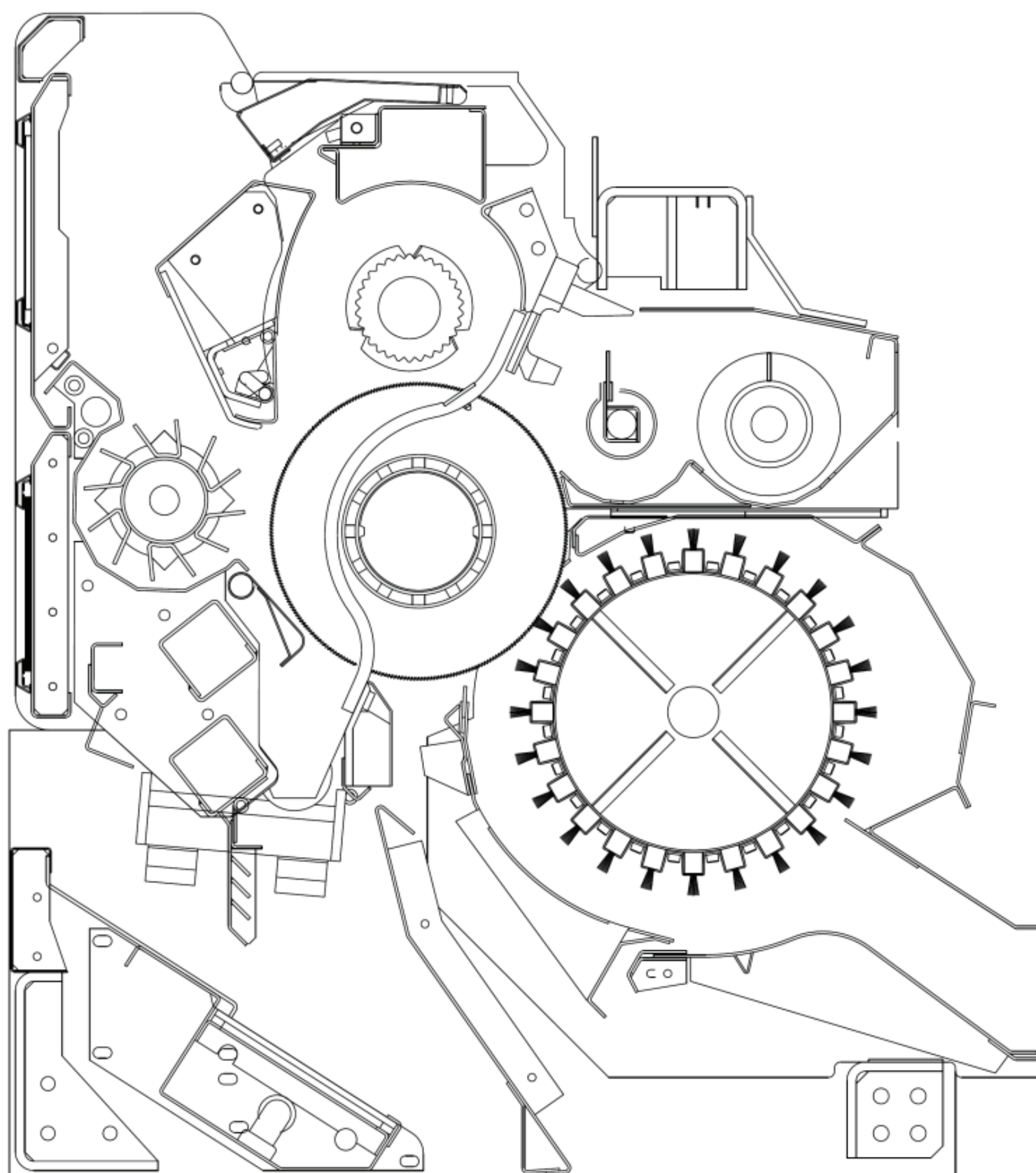
When paired with its companion, the Model 700™ III Feeder, the 203-Saw Imperial™ III Gin offers an unmatched ginning system in its footprint class. The fundamental operating settings, component arrangements, and relational geometry which have been paramount to the success of the Imperial III design remain the same.

Features

- Precision-machined and fabricated heavy-duty End Heads – castings are no longer used for gin legs.
- Uses 12" diameter gin saws – historically proven to cause less seed damage than larger diameter saws.
- Closer saw spacing than the 170-Saw Imperial III, offering more effective seed cleaning and better seed retention when ginning smaller-seed cultivars.
- Uses Lummus' exclusive machined Gin Rib (made in USA) with carbide wear-resistant Insert at the ginning point.
- Upper Rib Rail features the newest HDRR (Heavy-Duty Rib Rail) cross-section, which discourages any rib rail flexing when ginning at today's ultra-high capacities.
- Imperial III Gin Front accommodates increased seed cotton flow.
- Imperial III Seed Roll Box cross-section and Agitator Roller design optimizes the free turning of the seed roll.
- Agitator Roller now driven by a 10-HP Brake Motor.
- Two stages of seed reclaiming – first, at the upper Seed Control Panel (in the roll box) and second, at the Seed Reclaiming Panel (in the gin front). Both stages have single-lever adjustment.
- Sensitive Digital Gin and Feeder Controls provide quick and accurate response to variations in seed roll conditions and main gin drive motor amperage.
- Independent V-Drive from 200-HP motor.
- Optional Upper Moting System provides effective trash removal without fiber damage.
- Guarded Cleanout Slot, electrical control Interlocks, and Drive Guards.
- 203 Conversion Kit is available for factory-original 170-Saw Imperial III Gins (not available for converted 170-Saw Gins or for 128-Saw or 158-Saw Gins).



203-Saw Imperial™ III Gin (with Model 700™ III Feeder)



Cross-section of 203-Saw Imperial™ III Gin



Physical Address: 225 Bourne Boulevard • Savannah, Georgia 31408-9586 USA
Mailing Address: P. O. Box 929 • Pooler, Georgia 31322-0929 USA
Phone: (912) 447-9000 • Fax: (912) 447-9250
Toll Free (USA Only): 1-800-4LUMMUS (1-800-458-6687)
Web Site: www.lummus.com • E-mail: lummus.sales@lummus.com



Lummus products described or listed in this publication are illustrative only. Application and use of these products must be in accordance with the applicable codes and regulations and must be arranged and/or provided with covers and other guards where necessary to assure the safety of personnel. Lummus engineers continue to make improvements. All designs, specifications, and ratings are subject to change without notice.