

Super-Jet[®] Air-Type Lint Cleaner

Textile Mill Endorsement

Textile mills use the Lummus Super-Jet[®] Cleaner because the machine does not damage fiber and has high cleaning efficiency.

Staple Length and Quality Improved

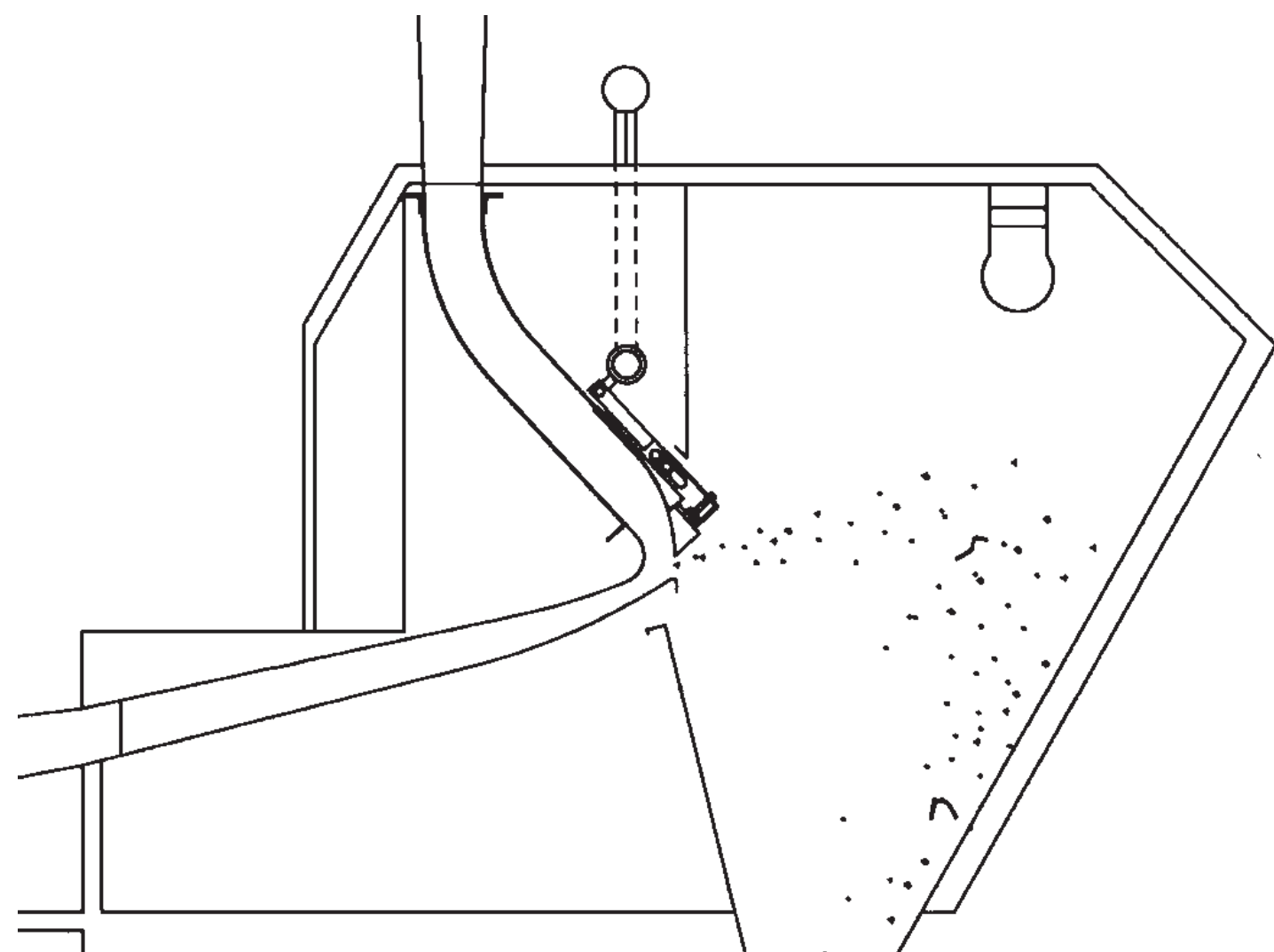
Immature fibers are removed before they become neps, and the Super-Jet[®] Cleaner reduces the percentage of trash, short fibers, and pin trash in the bale.

- Available in 94", 120", and 144" widths
- Unique design, no moving parts
- Removes sticks, motes, seed particles, leaf trash, bark, and spindle twists without breaking them into small particles
- Recommended to precede saw-type lint cleaners
- Used in majority of roller gins for lint cleaning
- No deterioration of fibers as capacity is increased
- One lever, easy operator control

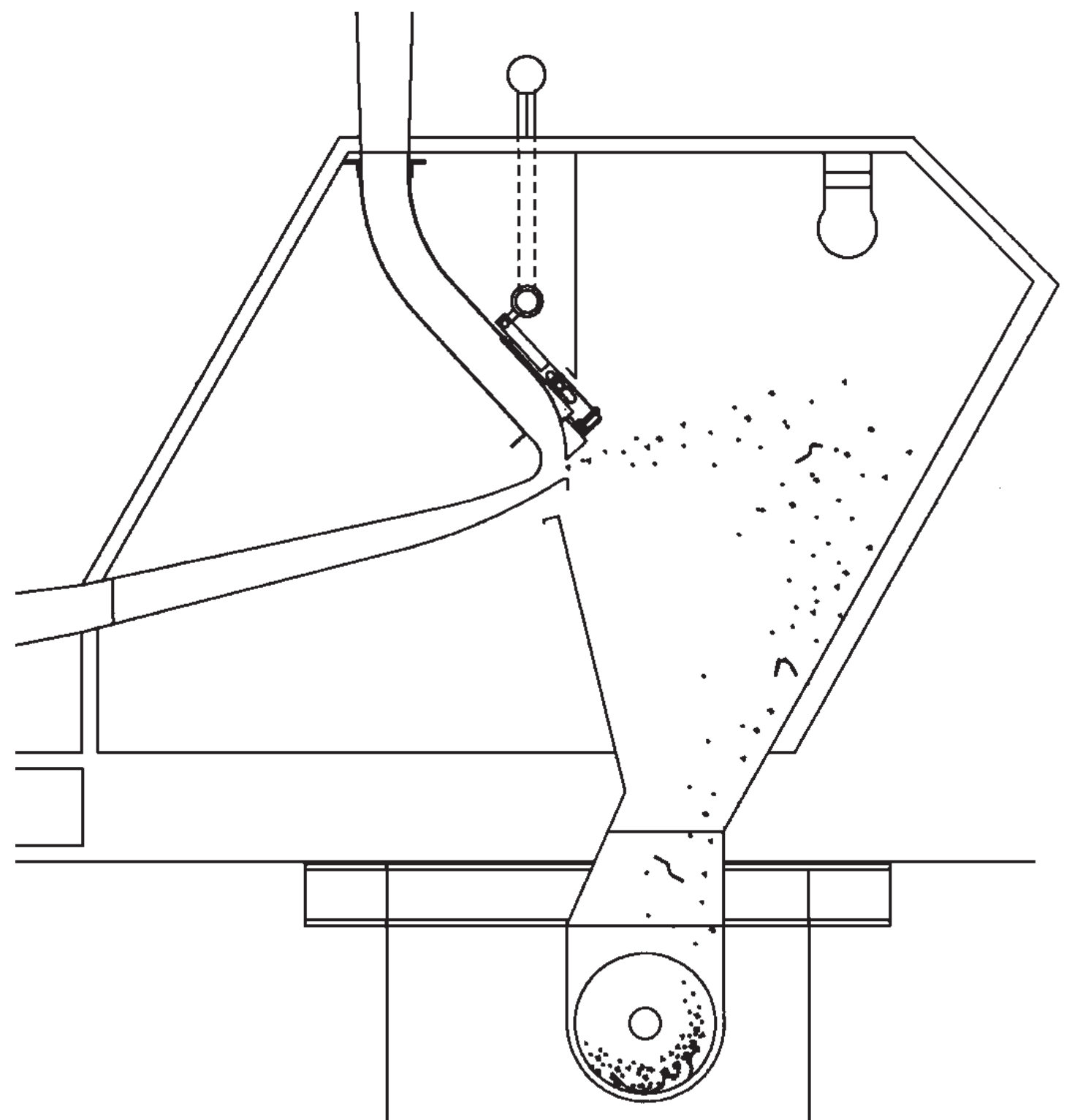
A close-coupled model fits in the limited space available when adding Super-Jet[®] Cleaners to an existing gin plant.



Super-Jet[®] Lint Cleaner (120" wide model shown)



Close-coupled Super-Jet[®] Lint Cleaner
(for installations with limited space)



Standard Super-Jet[®] Lint Cleaner
(featuring typical trash screw conveyor underneath)



Physical Address: 225 Bourne Boulevard • Savannah, Georgia 31408-9586 USA
Mailing Address: P. O. Box 929 • Pooler, Georgia 31322-0929 USA
Phone: (912) 447-9000 • Fax: (912) 447-9250
Toll Free (USA Only): **1-800-4LUMMUS** (1-800-458-6687)
Web Site: www.lummus.com • E-mail: lummus.sales@lummus.com

