

Imperial™ III Saw Gins

The Industry Standard

Lummus gins have consistently been the standard by which all others are measured. Drawing upon the expertise of a staff with more industry knowledge than any other manufacturer, Lummus has evolved its line of saw gins through the years, offering to the industry products unparalleled in performance and reliability – all while doing the utmost to preserve fiber quality.

The Best Gets Better

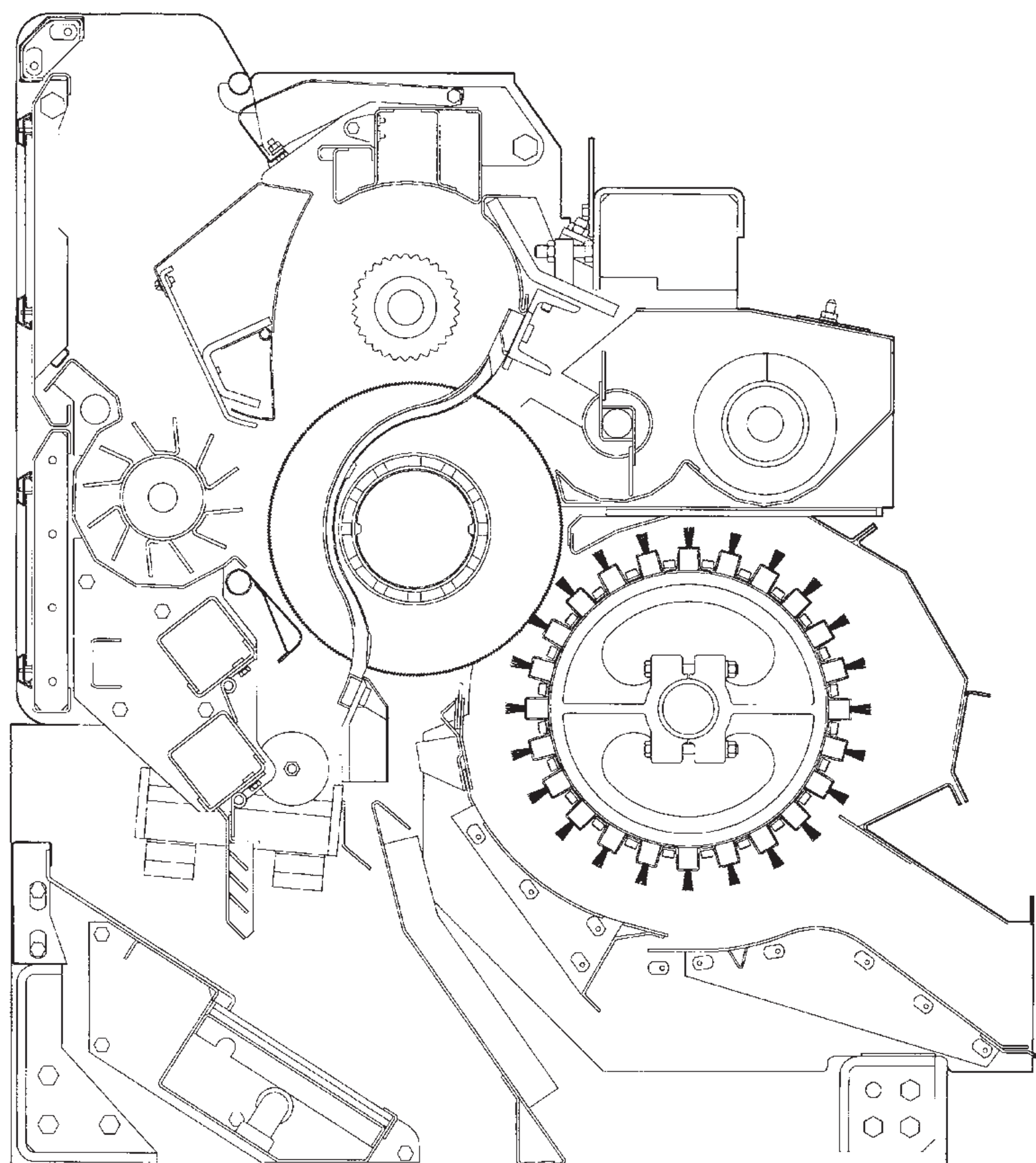
Like its matched companion, the Model 700™ II Feeder, the Imperial™ III gins have undergone a substantial design refinement. No changes have been made to the fundamental operating settings and component arrangements, which are critical to its proven success. Rather, the Series 2000 Imperial™ III gin design takes advantage of updated fabrication methods and fewer raw materials. This, in turn, results in reduced cost and lead times, both of which are essential in today's price-competitive and delivery-conscious marketplace.

Features

- Available in 170-Saw (96" wide) and 116-Saw (66" wide) models.
- Uses 12" diameter gin saws – historically proven to cause less seed damage than larger diameter saws.
- Larger Gin Front to accommodate increased seed cotton flow.
- Seed Roll Box redesigned to optimize free turning of the seed roll.
- Agitator Roller redesigned for more traction in rotating the seed roll.
- Two stages of seed reclaiming – first, at the upper Seed Control Panel (in the roll box) and second, at the new Seed Reclaiming Panel (in the gin front). Both stages have single-lever adjustment.
- Sensitive Digital Gin and Feeder Controls provide quick and accurate response to variations in seed roll conditions and main gin drive motor amperage.
- Independent V-Drive options: 150-HP or 200-HP (170-Saw); 100-HP or 125-HP (116-Saw).
- Upper Moting System provides effective trash removal without fiber damage.
- Safest gins on the market, with guarded cleanout slot, electrical control interlocks, and drive guards.
- Proven capacity and performance around the world in all types of upland cotton.
- The 170-Saw Gin fits into the same space as a 128 or 158-Saw Gin, and the 116-Saw Gin fits into the same space as an 88 or 108-Saw Gin.



170-Saw Imperial™ III Gin (with Model 700™ II Feeder)



Cross-section of Imperial™ III Gin



Physical Address: 225 Bourne Boulevard • Savannah, Georgia 31408-9586 USA
Mailing Address: P. O. Box 929 • Pooler, Georgia 31322-0929 USA
Phone: (912) 447-9000 • Fax: (912) 447-9250
Toll Free (USA Only): **1-800-4LUMMUS** (1-800-458-6687)
Web Site: www.lummus.com • E-mail: lummus.sales@lummus.com



Lummus products described or listed in this publication are illustrative only. Application and use of these products must be in accordance with the applicable codes and regulations and must be arranged and/or provided with covers and other guards where necessary to assure the safety of personnel. Lummus engineers continue to make improvements. All designs, specifications, and ratings are subject to change without notice.