

Moisture Conditioning (MC™) Battery Condenser – 72”

The most reliable, effective, and uniform way to add moisture to lint cotton.

Since its introduction, the MC™ Battery Condenser (in its overshot configuration) has proven itself throughout the world in some of the highest capacity ginning operations. Its reputation for trouble-free operation and reliability is well-earned.

Condenser Features:

- Compression rollers operated by air cylinders compress cotton into a uniform batt for more efficient baling
- Quick-change flashing allows easy maintenance of condenser drum seals
- Hot, dry air applied to keep perforated drum clean and minimize potential for moisture build-up
- Floating rollers allow wads to pass without choking
- 72” diameter drum allows for high airflow with a low static pressure drop
- Moist air inlet allows moisture to be added directly to the lint batt just prior to the doffing assembly
- Moist air is pulled completely through the batt, which ensures thorough moisture infusion into the fiber
- Condenser can be operated without moisture addition
- Available in either single-draft or dual-draft exhaust configuration
- 10-HP Motor with AC Inverter Drive package is included to accommodate for fluctuations in ginning rates

Benefits

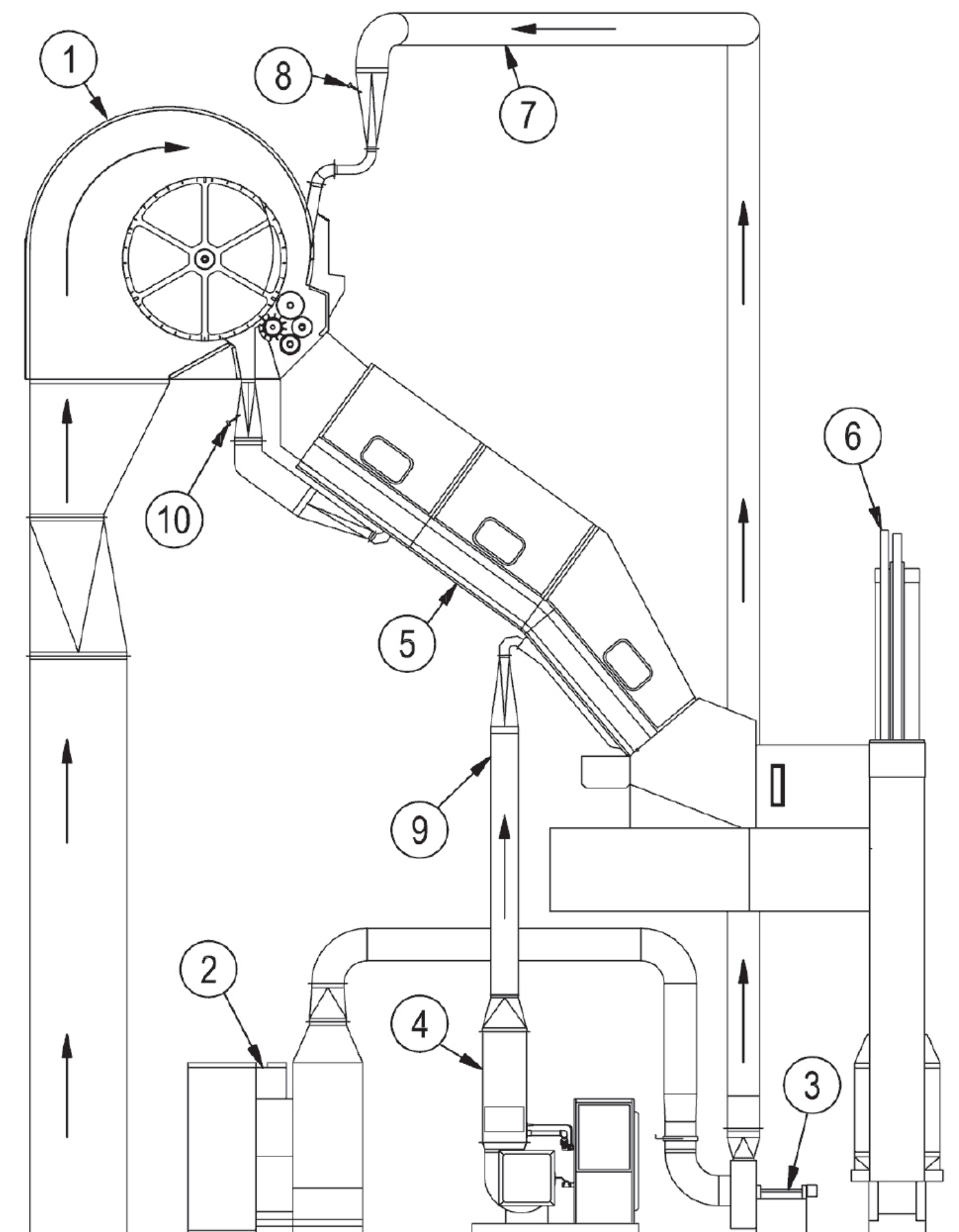
- Adds moisture without choking
- Improves gin lint turnout
- Increases press capacity
- Improves pusher/tramper performance
- Lowers hydraulic pressure at the press
- Reduces lint fly

System Schematic Legend (see diagram at right)

1. MC™ Battery Condenser
2. Moisture Unit
3. Moist Air Fan
4. 1 MBTU “Pony” Burner with integral Blower
5. Lint Slide with Hot Air Jacket
6. Press
7. Warm, Moist Air In
8. Warm, Moist Air Temperature Sensor
9. Hot, Dry Air In
10. Hot, Dry Air Temperature Sensor



72” diameter MC™ Battery Condenser



MC™ Condenser Moisture Restoration System Schematic



Physical Address: 225 Bourne Boulevard • Savannah, Georgia 31408-9586 USA
Mailing Address: P. O. Box 929 • Pooler, Georgia 31322-0929 USA
Phone: (912) 447-9000 • Fax: (912) 447-9250
Toll Free (USA Only): **1-800-4LUMMUS** (1-800-458-6687)
Web Site: www.lummus.com • E-mail: lummus.sales@lummus.com



Lummus products described or listed in this publication are illustrative only. Application and use of these products must be in accordance with the applicable codes and regulations and must be arranged and/or provided with covers and other guards where necessary to assure the safety of personnel. Lummus engineers continue to make improvements. All designs, specifications, and ratings are subject to change without notice.