

Super-Jet[®] Air-Type Lint Cleaner

Textile Mill Endorsement

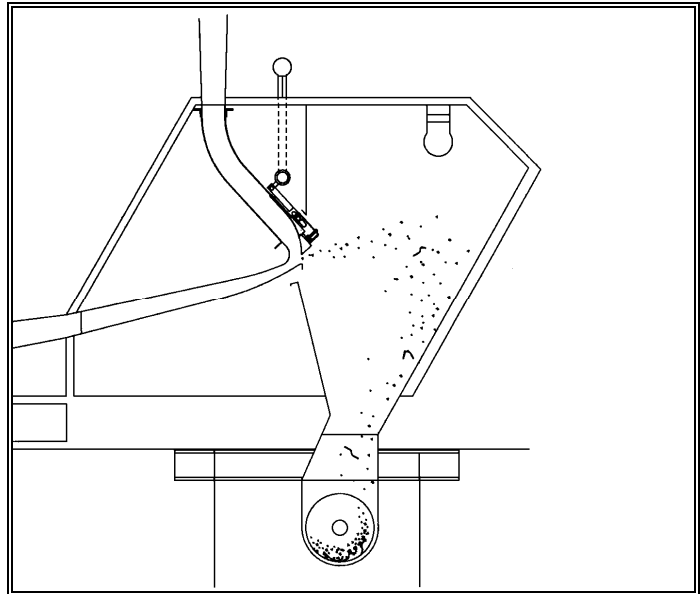
Textile mills use the Lummus Super-Jet[®] Cleaner because the machine does not damage fiber and has high cleaning efficiency.

Staple Length and Quality Improved

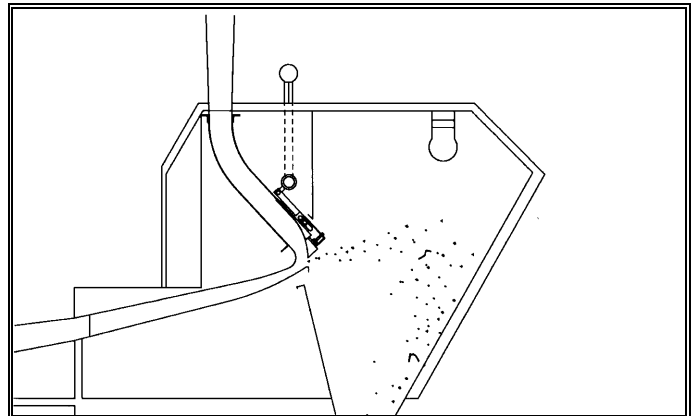
Immature fibers are removed before they become neps, and the Super-Jet[®] Cleaner reduces the percentage of trash, short fibers and pin trash in the bale.

- Unique design, no moving parts
- Removes sticks, motes, seed particles, leaf trash, bark, and spindle twists without breaking them into small particles
- Recommended to precede saw-type lint cleaners
- Used in majority of roller gins for lint cleaning
- No deterioration of fibers as capacity is increased
- One lever, easy operator control

A close-coupled model fits in the limited space available when adding Super-Jet[®] Cleaners to an existing gin plant.



Standard Super-Jet[®] Lint Cleaner



Close-coupled Super-Jet[®] Lint Cleaner for limited space



Physical Address: 225 Bourne Boulevard • Savannah, Georgia 31408-9586 USA
Mailing Address: P.O. Box 929 • Pooler, Georgia 31322-0929 USA
Phone: (912) 447-9000 • Fax: (912) 447-9250 Toll Free (USA Only): 1-800-4LUMMUS (1-800-458-6687)
Web Site: www.lummus.com • E-mail: lummus.sales@lummus.com

Lummus products described or listed in this publication are illustrative only. Application and use of these products must be in accordance with the applicable codes and regulations and must be arranged and/or provided with covers and other guards where necessary to assure the safety of personnel. Lummus engineers continue to make improvements. All designs, specifications, and ratings are subject to change without notice.