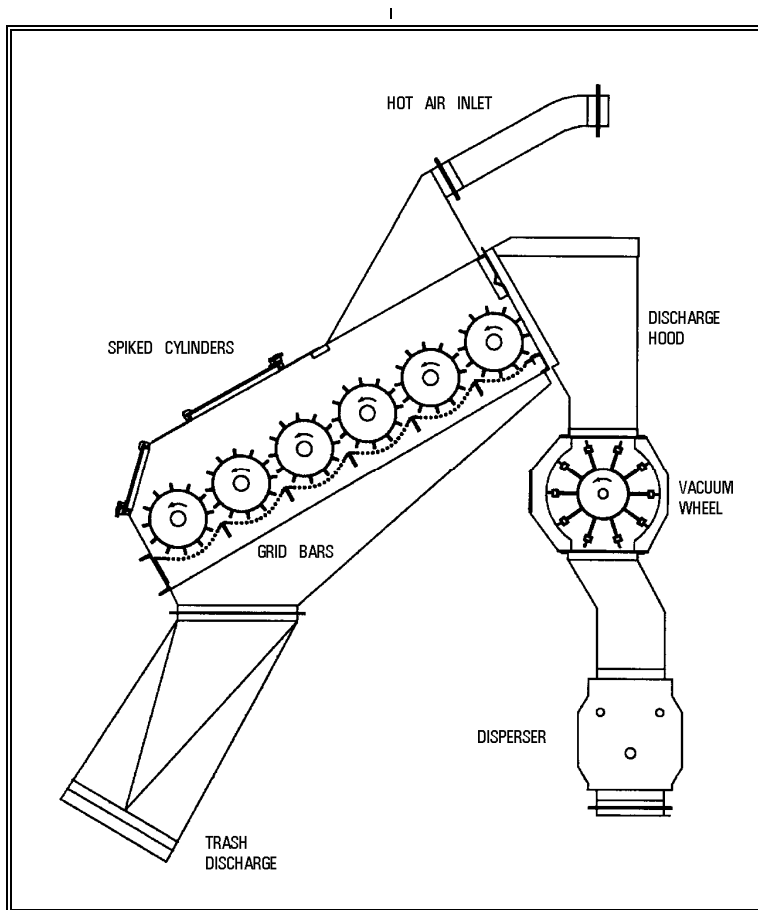


Inclined Cleaners: Hot Air & Gravity

Precleaning for high-capacity gins

With the Lummus system, you eliminate unnecessary handling, preserving fiber quality, to produce better grades and higher turnout.

- Removes sand, dust, small sticks, and leaf trash
- Adjustable grid racks
- Easy-access doors
- Air-tight doors and dust seals around shafts
- Three-piece side panels on both sides for ease of maintenance
- Available in 96-inch and 144-inch widths
- Also available for use in gravity-fed applications



Cotton flows freely through the machine for increased capacity. Grid bars remove fine trash to prevent it from becoming embedded in the cotton.

The Lummus Vacuum Wheel, with ten-flight design, gives 50% more sealing.

Quick-change flashing in Vacuum Wheels is replaceable in minutes to minimize downtime.



Physical Address: 225 Bourne Boulevard • Savannah, Georgia 31408-9586 USA
Mailing Address: P.O. Box 929 • Pooler, Georgia 31322-0929 USA
Phone: (912) 447-9000 • Fax: (912) 447-9250 Toll Free (USA Only): 1-800-4LUMMUS (1-800-458-6687)
Web Site: www.lummus.com • E-mail: lummus.sales@lummus.com